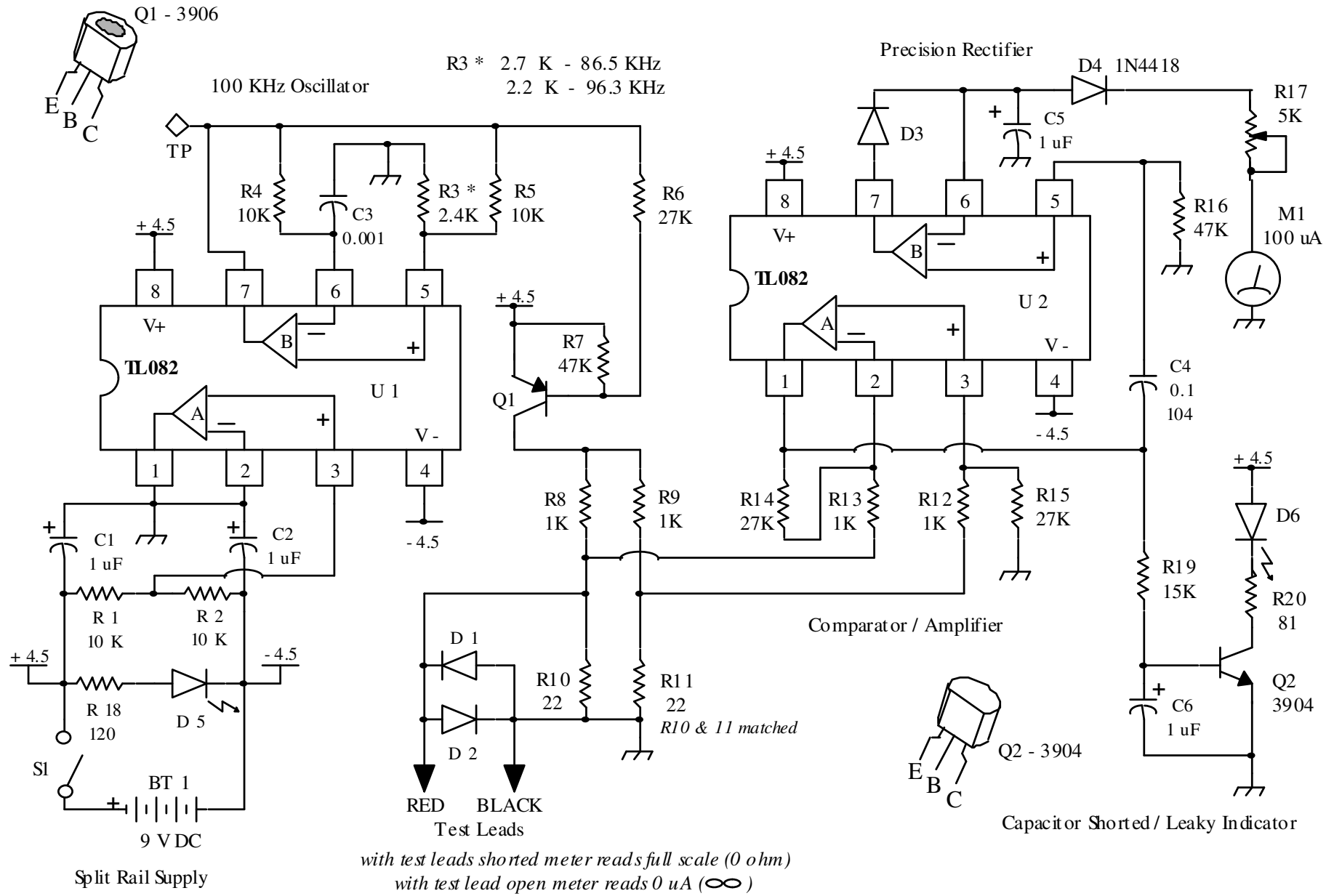


ESR QST April 14 - by KG4BZW



NOTE: use 10K pot (R17) with 50 uA meter and 2.2K R3 (GNX version)