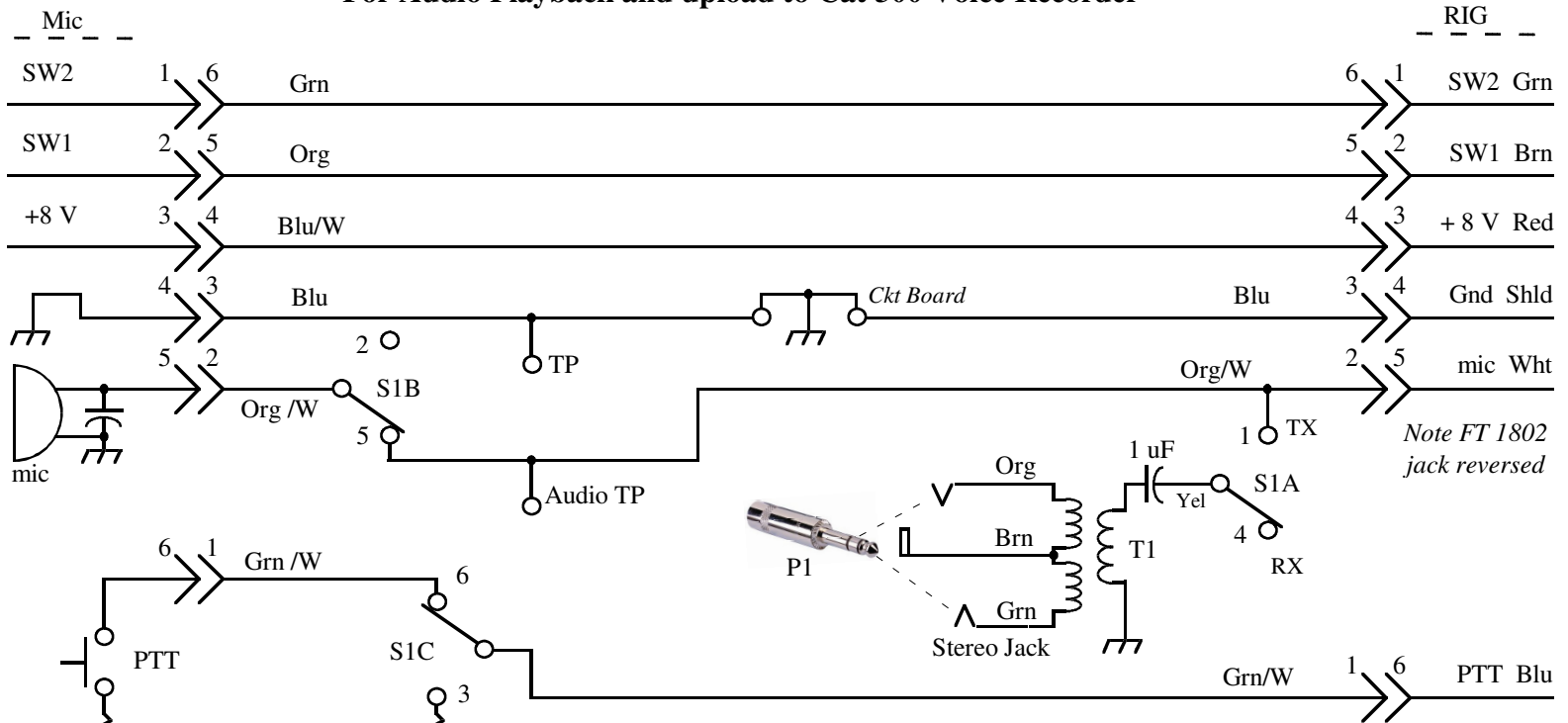


Audio Interface from Sound Card to Yaesu FT 1802 2 Meter Transceiver For Audio Playback and upload to Cat 300 Voice Recorder



Note FT 1802 jack reversed

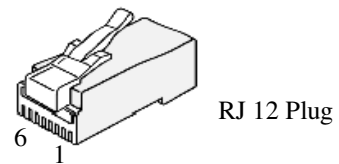
T1 - TY145 Triad 600 Ω - 600 Ω
Jameco Part # 630459

P1 - 3.5 mm Stero Plug
Audio in from sound Card (spkr out)

TP - Test Point



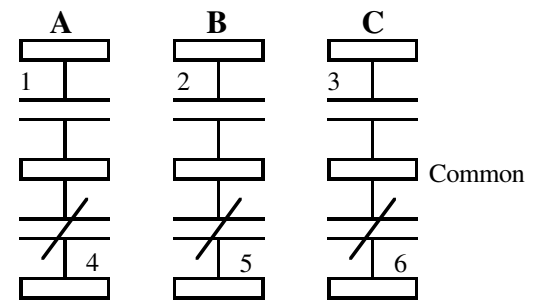
*Color code matches these jacks
Must skin wires & use capture clips*



Switch Schedule

SW	RX	TX
A1		X
A4	X	
B2		X
B5	X	
C3		X
C6	X	

X indicates Closed



S1 - in RX position